



STELLA DORADUS

# StellaOffice REPEATER

The StellaOffice is a commercial grade, cellular repeater which provides mobile signal coverage in large buildings.



**The StellaOffice is a commercial grade, cellular repeater which provides mobile coverage in large buildings enabling clear voice calls in the office, as well as supporting the fastest internet speeds : 5G/4G/3G/2G.**

This powerful repeater has 4 ports for connecting 4 indoor antennas, which increase the coverage to between 5 and 15 internal rooms, depending on the size and shape of the room.

Several frequency combinations are available, see below.

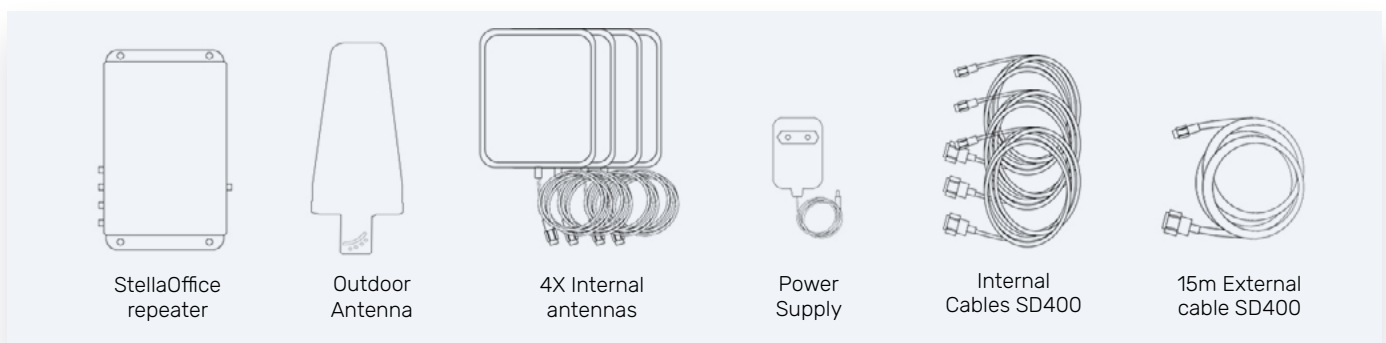
## Features

- Coverage: 5-15 rooms
- Compatible with all mobile operators
- Voice and data
- No existing broadband required
- Simple and intuitive 10 LED indicator
- Everything included for complete installation
- Conforms to European R.E.D. specifications



Product code	Frequencies (MHz)	Weight	Dims	PSU	Ports
R2-O	800/900	2kg	25X17X3.5cm	12V,3A	4
R3-O	800/900/1800	3kg	35X17X3.5cm	12V,3A	4
R5-O	700/800/900/1800/2100	4kg	35X30X4.3cm	12V,5A	4

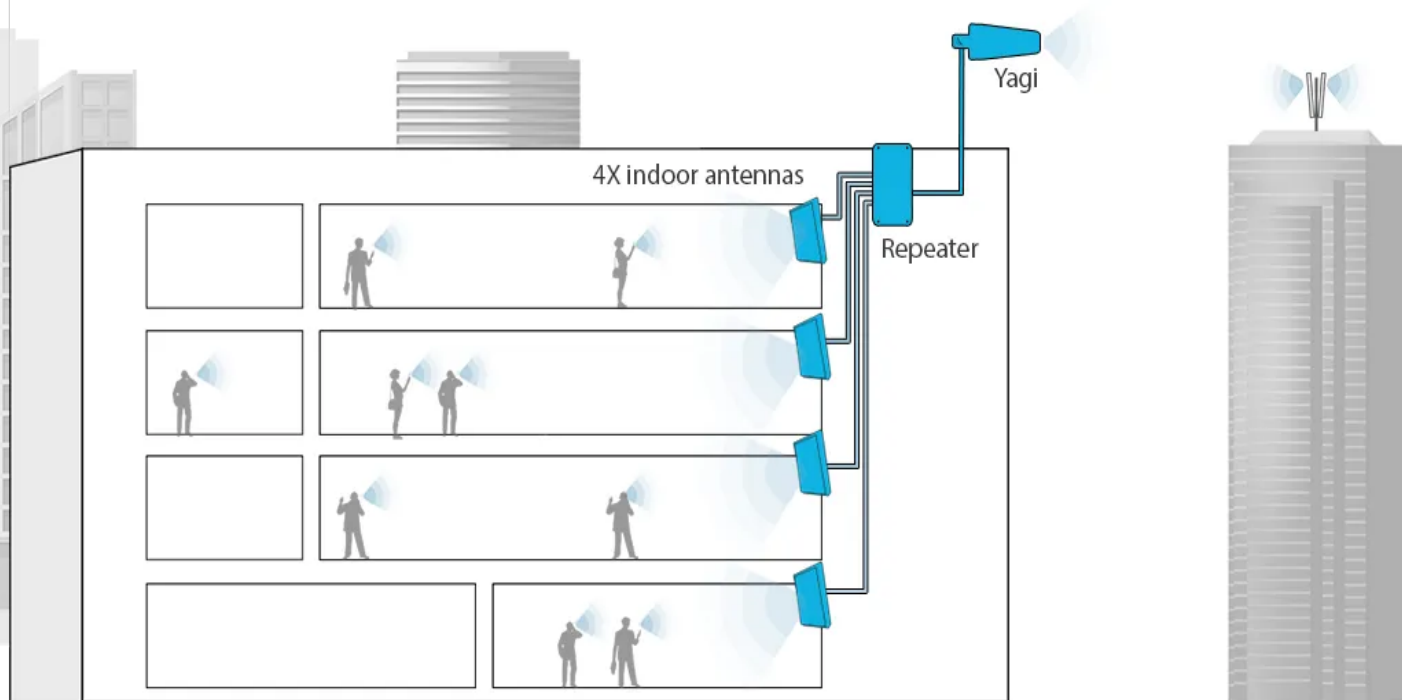
## Standard kit includes:



Do not use Stella repeaters with non Stella equipment.

Stella repeaters operate silently on the operators network. Using Stella equipment with other manufacturers equipment will break this control system and could potentially harm the operators network. Doing so will void warranty.

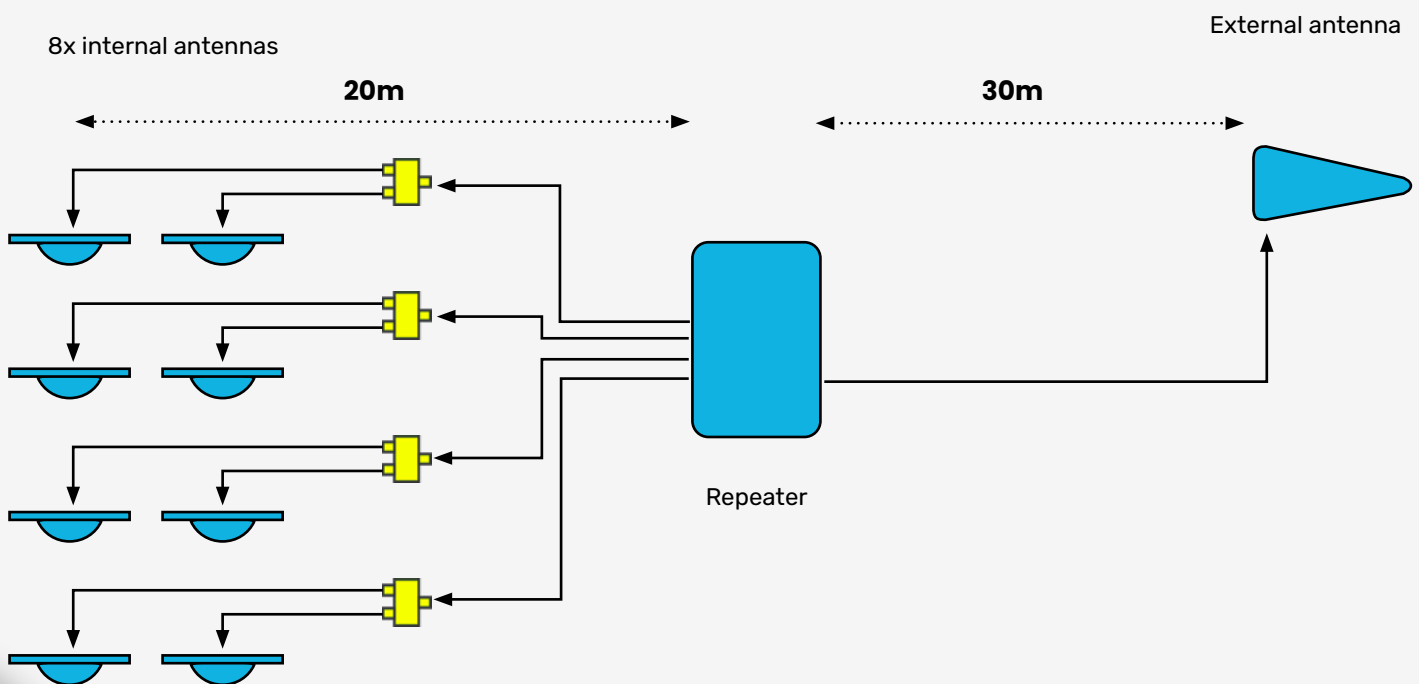
## How it works



An external antenna installed on the roof of the building receives the signal from all mobile operators.

This signal is passed inside the building to the repeater which amplifies the signal and passes it to all desired areas in the office via multiple indoor antennas.

## Sample installation



Check above for your specific frequencies

Bands	B28	B20	B8	B3	B1
Frequency Downlink	758-788	791-821	925-960	1805-1880	2110-2170
Frequency Uplink	703-733	832-862	880-915	1710-1785	1920-1980

### Amplifier Specification

Coverage	5-15 rooms
Gain	Uplink Gp: 60dB      Downlink Gp> 60dB
Pass band ripple	<4dB
I/O impedance	50 ohm/SMA female connector
Max up/down signal strength	20dBm / 10dBm
Ambient Temperature	-30°C to +70°C
Power supply input	110 - 240V AC
Power supply output	12V DC
Oscillation Control	Automatic
AGC Level Control	Automatic <sup>1</sup>
Uplink Switch On	Yes <sup>2</sup>
AGC Range	30dB
Surge protection	SMA connectors DC grounded, 12V DC port MOV protected

Antennas	Indoor Panel	Outdoor Yagi
Nominal Gain	6.4dBi / 9.4dBi	10dBi
3dB beam Pattern	60° x 60°	60° x 50°
Bandwidth	700MHz - 2700MHz	700MHz - 2700MHz
VSWR	<1.4	<1.5
Front to Back Ratio	> 20dB	> 20dB
Polarization	Vertical	Vertical
Power Rating	50W	50W
Impedance	50-OHM	50-OHM
Termination	SMA male / N-female	N-Female
Cross Pol. Discrimination	-20dB	-20dB
Dimensions	210 x 180 x 43mm	442 x 205 x 62mm
Weight	0.68kg	1.2kg
Wind velocity	126km/hr	140km/hr
Working temperature	-40°C to +65°C	-40°C to +65°C

<sup>1</sup>Automatically adjusts during installation. Thereafter, automatically adjusts for seasonal variation in path loss between the base station and the outdoor antenna.

<sup>2</sup>The uplink amplifiers switch off when the repeater is not in use. This reduces the uplink noise to almost zero. When the repeater is in use (phone call or data session), the uplink amplifiers switch on for the duration of the call/ data session only.

Note: Specifications subject to change without notice.

# STELLA DORADUS

WWW.STELLADORADUS.COM



Stella Doradus Europe Ltd,  
Coolfin, Portlaoigh, Co. Waterford,  
X91NH59 Ireland



info@stelladoradus.com



+353 51 387145

